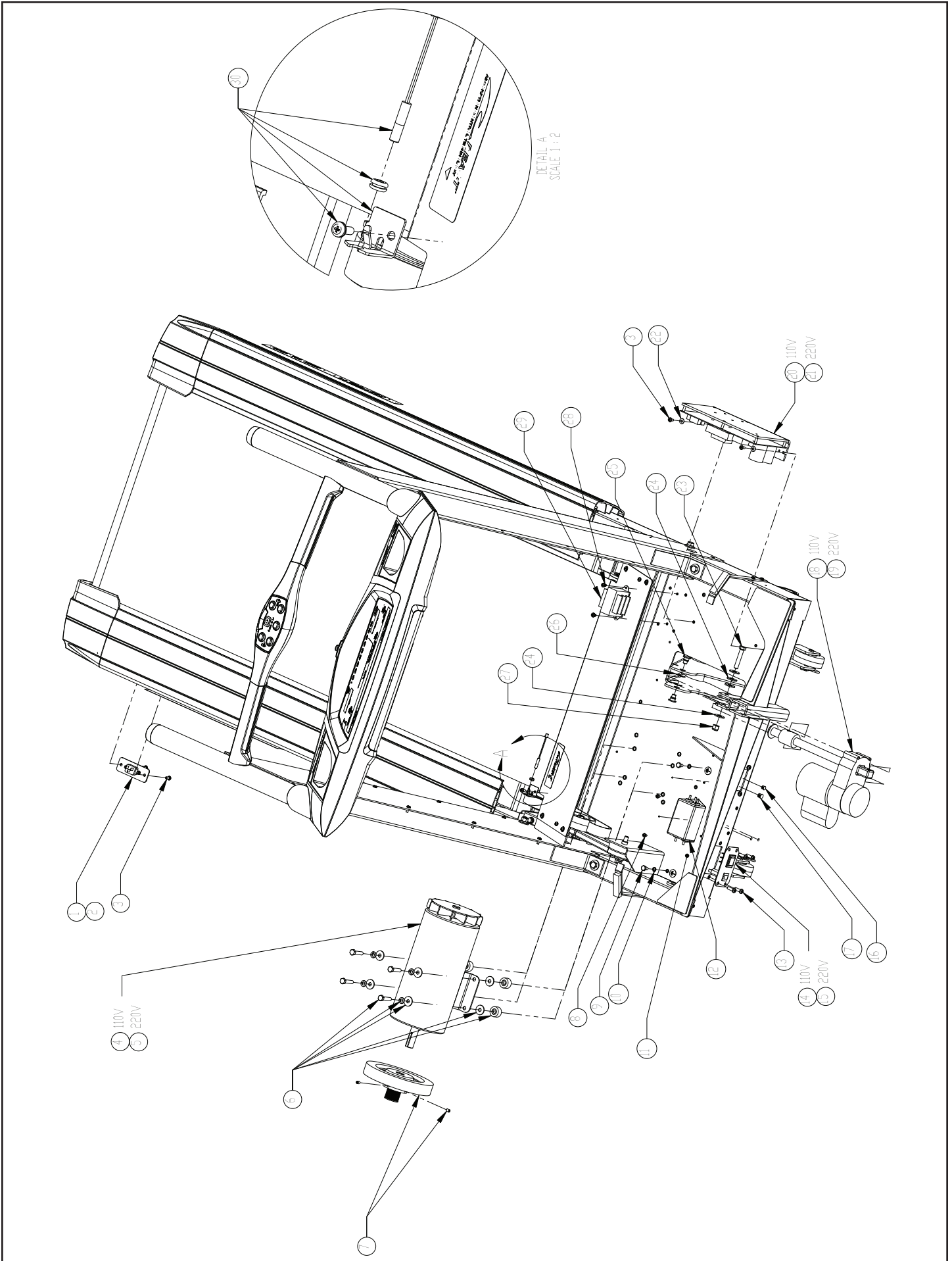
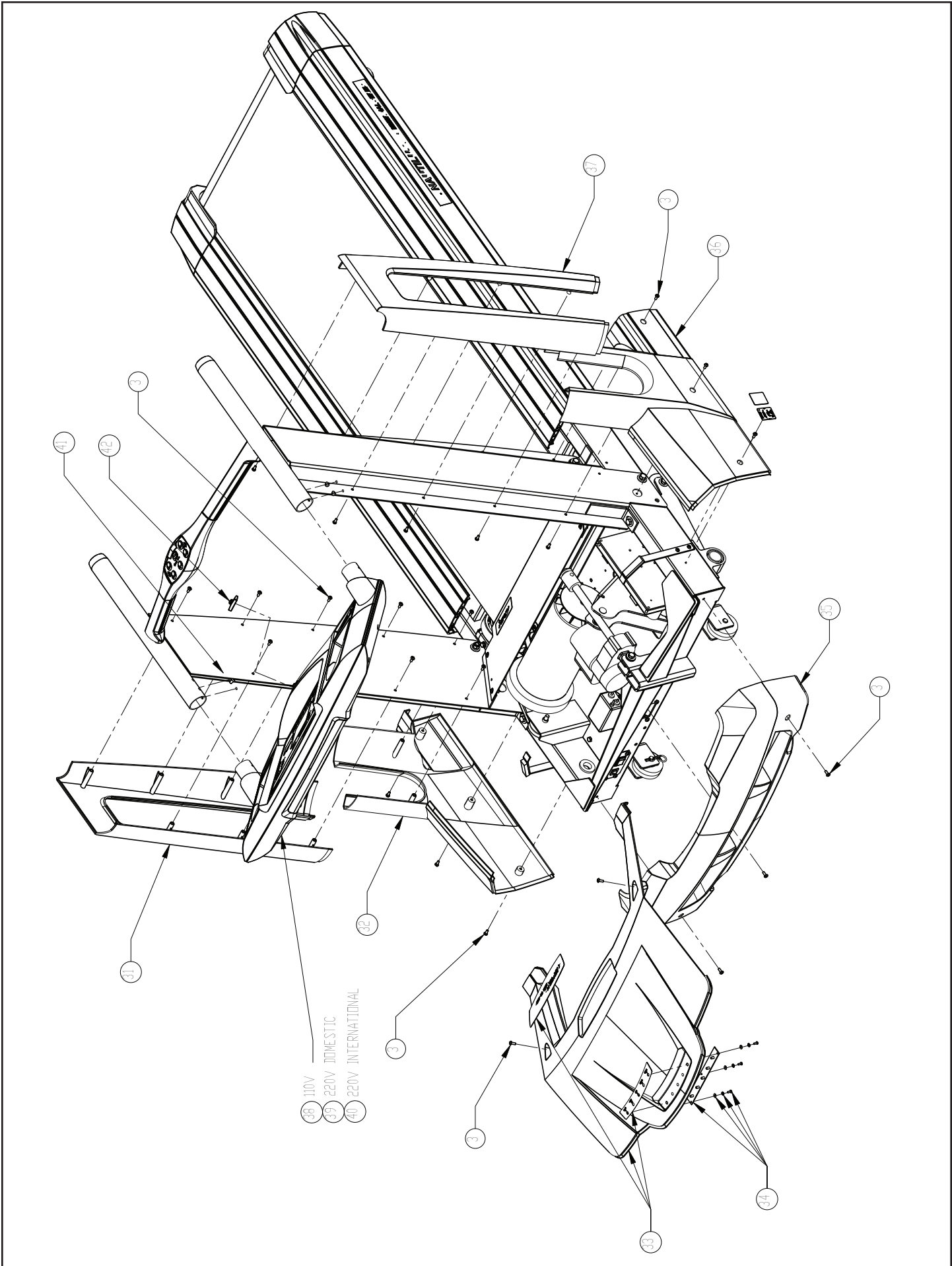


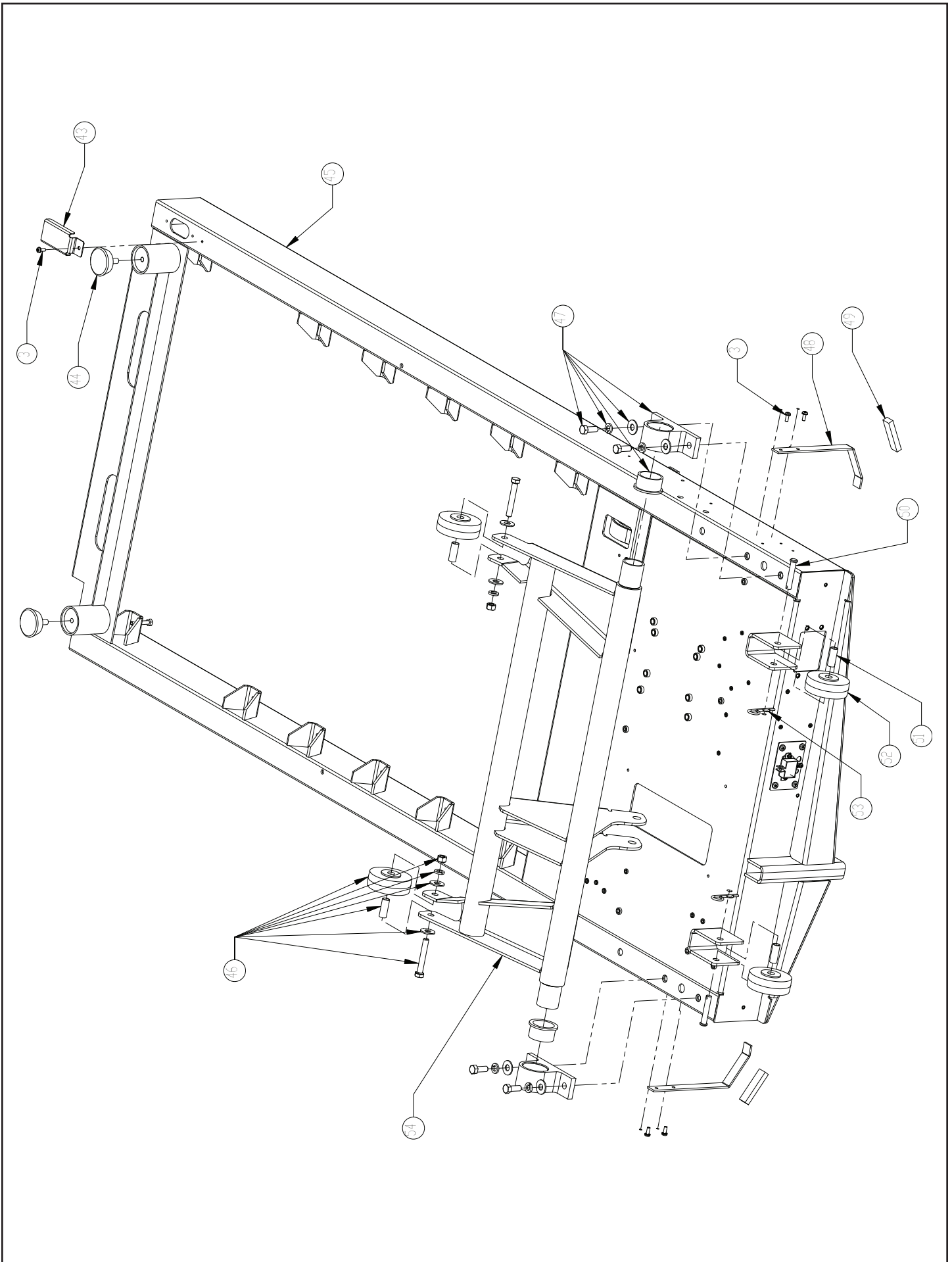
NAUTILUS T912 TREADMILL



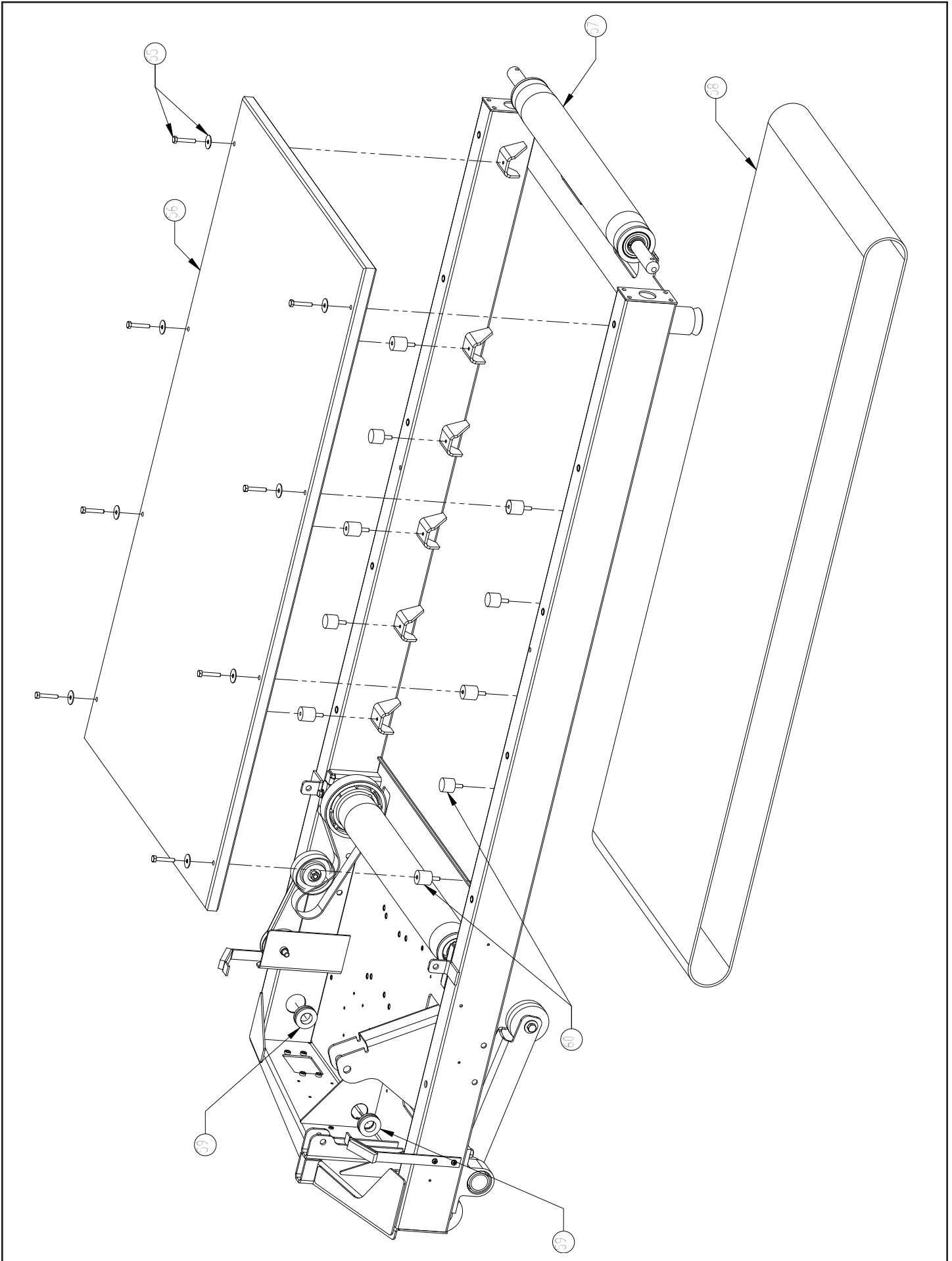
NAUTILUS T912 TREADMILL



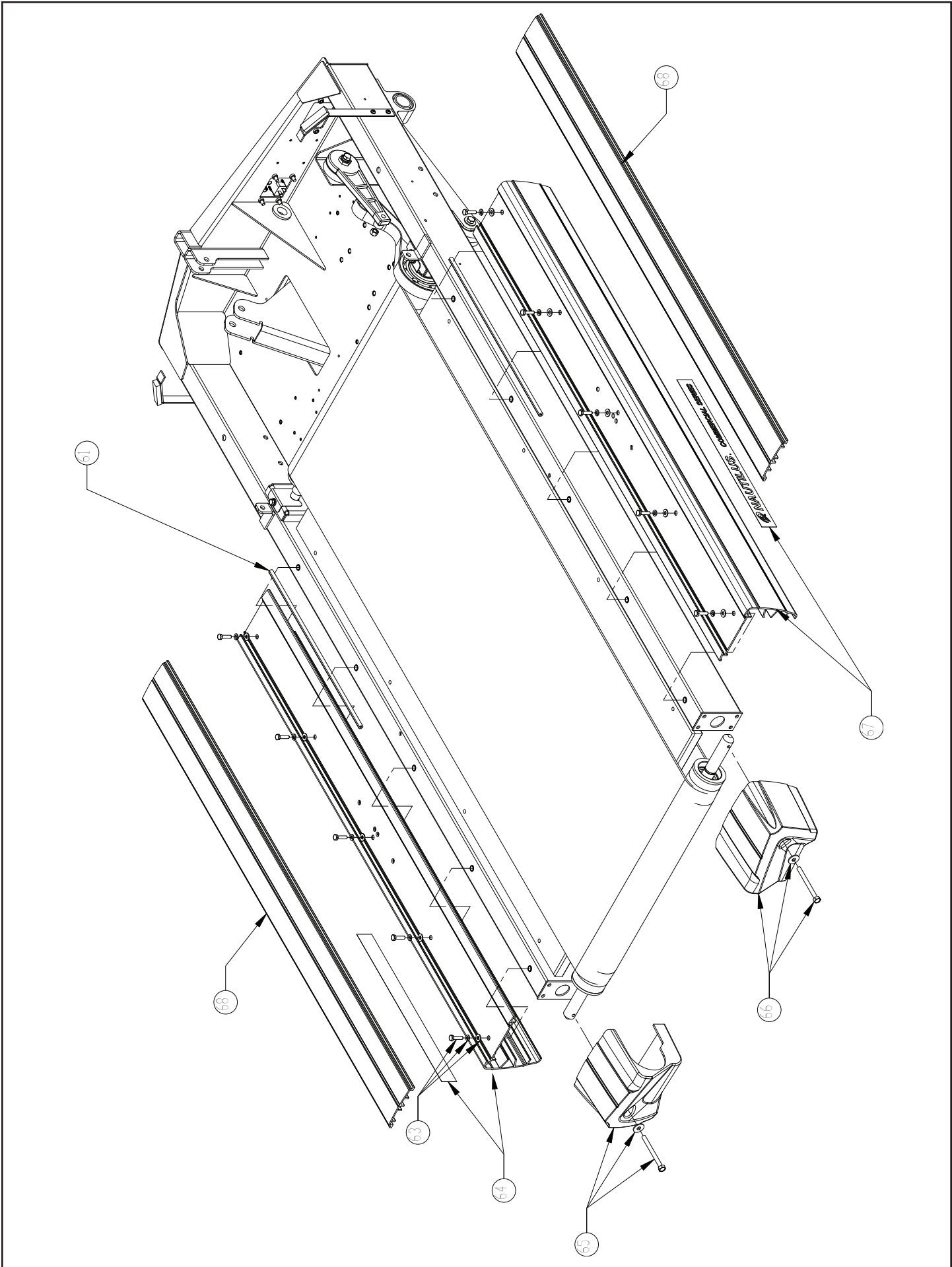
NAUTILUS T912 TREADMILL



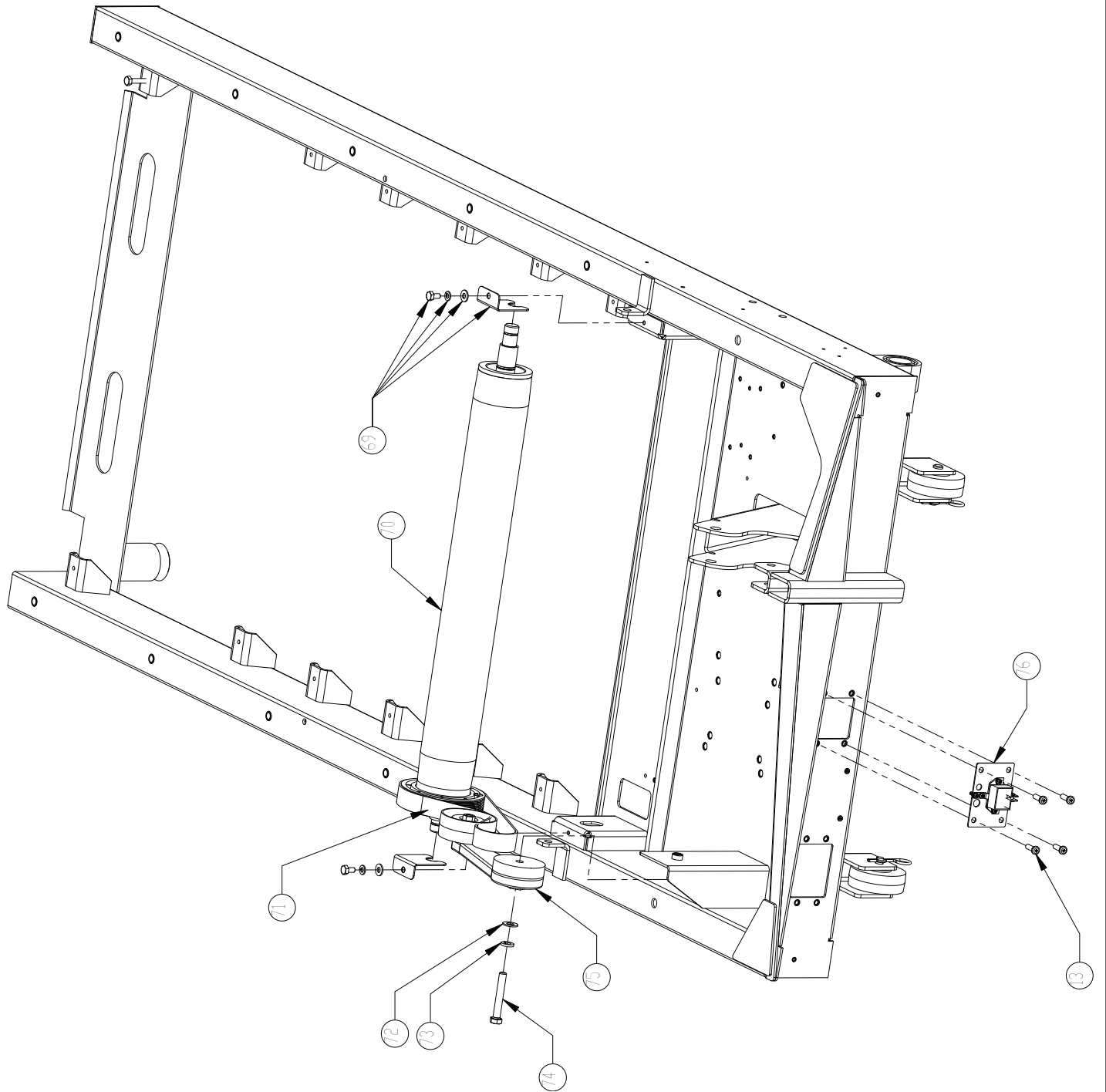
NAUTILUS T912 TREADMILL



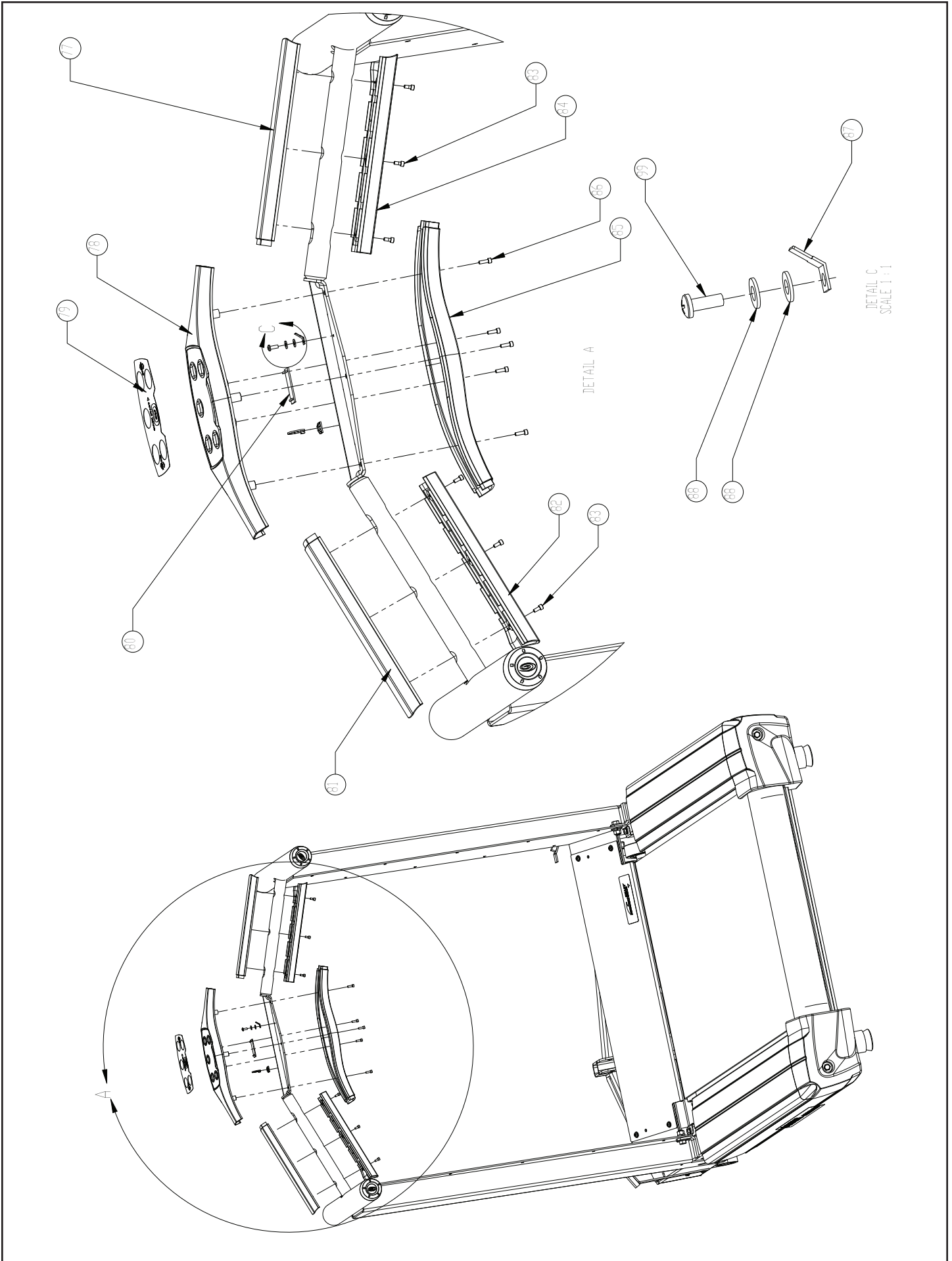
NAUTILUS T912 TREADMILL



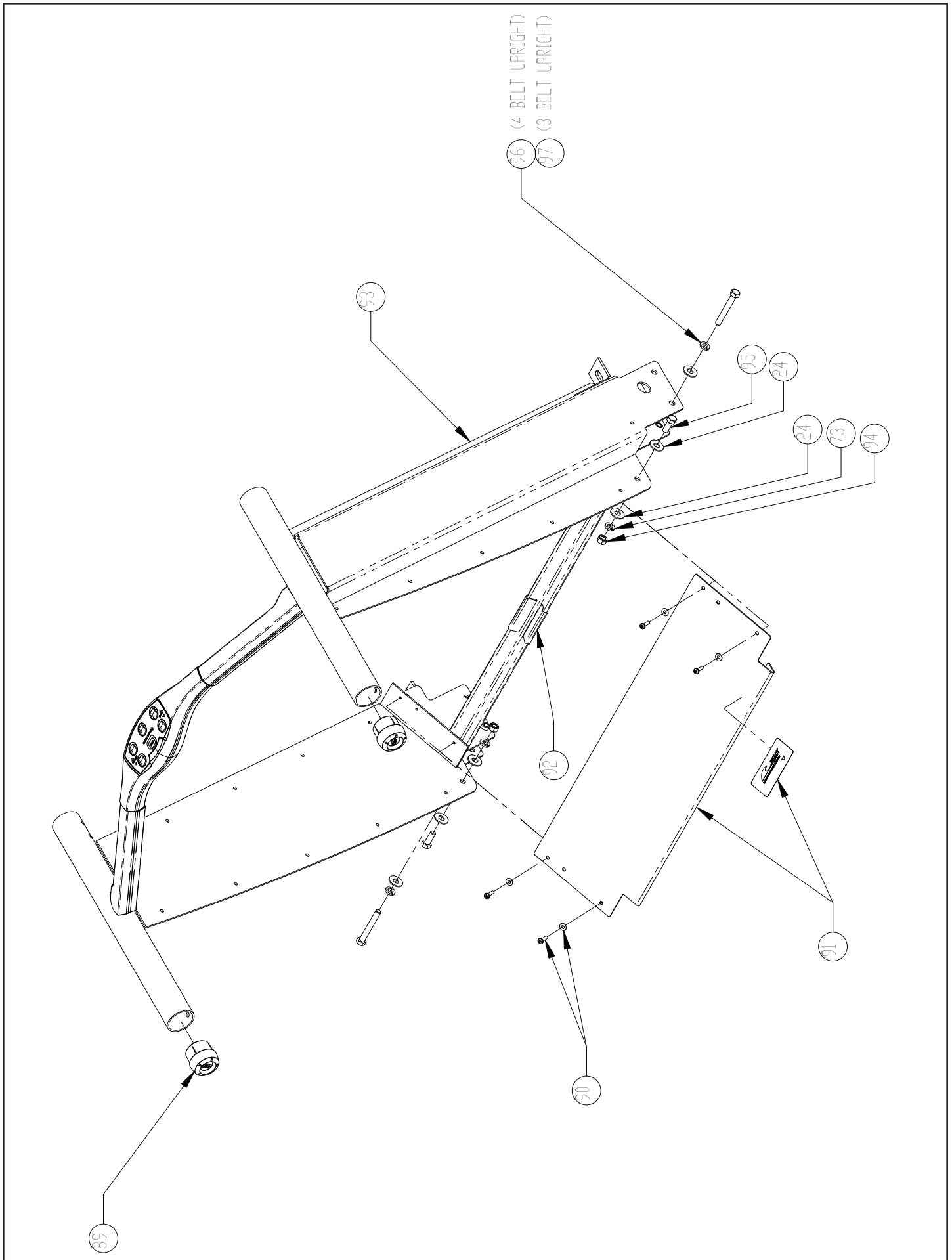
NAUTILUS T912 TREADMILL



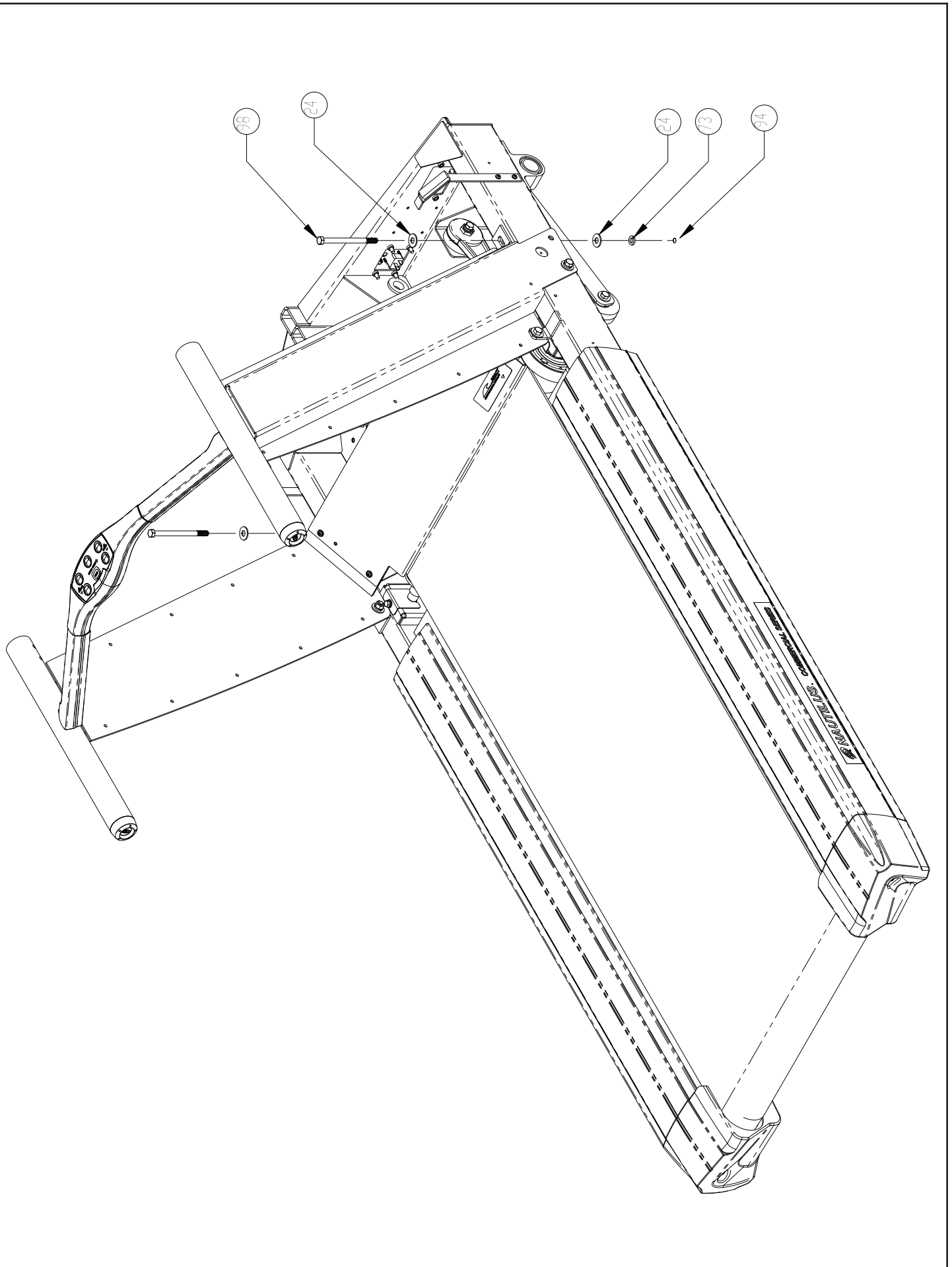
NAUTILUS T912 TREADMILL



NAUTILUS T912 TREADMILL



NAUTILUS T912 TREADMILL



NAUTILUS T912 TREADMILL

REF #	DESCRIPTION	PART #	REF #	DESCRIPTION	PART #
1	ASSY,PWR INLET REAR,120/240V,	SM41477	46	KIT,WHEEL ASSY,SV	SM26402
2	ASSY,CABLE,REAR POWER	SM41190	47	KIT,BEARING ASSY,IGUS,SV	SM26403
3	SCREW,#10-32 X .50,PAN HD, W/L	SM41271	48	BRACKET,COVER SUPPORT	SM41261
4	MOTOR, 3.0 HP, 110VDC	SM41095	49	FOAM,PAD	SM36271-001
5	MOTOR, 3.0 HP, 220VDC	SM41210	50	PIN,CLEVIS, 3/8" DIA. X 2" LG	SM41259
6	KIT,MOTOR MOUNT HARDWARE,SV	SM26417	51	BUSHING,SPANNER,NTR	SM41129-05
7	KIT,FLYWHEEL,CAST,NTR,SV	SM26416	52	510/612 POLYOLEFIN WHEEL	SM27551
8	SCREW,6-32X.38,PAN HD W/LKWASH	SM40456	53	PIN,HITCH	SM21774
9	SCREW,.250-20X.50,HEX HD CAP	SM22101	54	KIT,GRADE WELDMENT ASSY,SV	SM26401
10	WASHER,LOCK,.250 EXTERNAL TOOT	SM41260	55	KIT,DECK HARDWARE,SV	SM26405
11	GUIDE WIRE .500	SM27583	56	BED,SLIDER,T9.12,57"	SM41649
12	FILTER,NOISE,RFI	SM27317	57	ASSY, REAR ROLLER, V2	SM41472
13	SCREW,1/4-20X.75,PAN HD,W/LOCK	SM40670	58	BELT,WALKING,57"	SM41591
14	ASSY,SWITCH PLATE,T7'S,T9.12	SM41588	59	GROMMET, 2870, 7/8" ID	SM41269
15	ASSY,SWITCH PLATE,T7,T912,220V	SM41607	60	KIT,COMPRESSION MOUNT SET,SV	SM26404
16	PLUG,HOLE,.312,FINISHING,BLK,L	SM41615	61	EDGE TRIM, RUBBER	SM22074
17	PLUG,HOLE,.375,FINISHING,BLK,L	SM41616	63	KIT,HARDWARE,EXTRUSION SET,SV	SM26408
18	KIT,ELEVATION MOTOR,SV	SM26418	64	KIT,SIDERAIL,T912,LEFT	SM41516
19	ACTUATOR,LINEAR,230V,NTR TM	SM41289	65	ENDCAP,SIDERAIL,LEFT	SM41475-00
20	MOTOR CONTROLLER,AC, 115V	SM41094	66	ENDCAP,SIDERAIL,RIGHT	SM41474-00
21	MOTOR CONTROLLER,AC,230 VAC	SM41313	67	KIT,SIDERAIL,T912,RIGHT	SM41517
22	WASHER,#10 FLAT,SS	SM22637	68	EXTRUSION,RUBBER,SIDE RAIL TOP	SM41078
23	SCREW,.375-16x2.00,HEX HD CAP	SM22258	69	KIT,BRACKET,FRONT ROLLER,SV	SM26406
24	WASHER, 3/8 USS FLAT	SM22030	70	ASSEMBLY,DRIVE ROLLER	SM41009
25	PIVOT SHAFT,ELEVATION NUT	SM41124	71	POLY-V DRIVE BELT, 280J10	SM27458
26	E-RING, EXTERNAL RETAINING	SM41141	72	WASHER,.406 X .812 X .065,FLAT	SMQ32387-001
27	NUT,.375-16,NYLON INSERT	SM22029	73	WASHER, 3/8 SPLIT LOCK	SM23729
28	SCREW,SEMS,10/32 X .375	SM30579-016	74	SCREW,.375-16X2.50,HEX HD CAP	SM22016
29	CHOKE, EMI	SM41153	75	ROTARY TENSIONER	SM27552
30	KIT,SPEED SENSOR,SV	SM26407	76	ASSY,PWR INPUT,T7'S,T9.12,120V	SM41589
31	KIT,COVER,UPRIGHT,TOP,R,SV	SM26423	77	HOUSING,ERGO, TOP RIGHT, NON-CHR	SM41136
32	COVER,MOTOR,LOWER RIGHT	SM41108	78 & 79	KIT, HOUSING, ERGO W/DECAL	SM26421
33	KIT,MOTOR COVER,T912	SM26431			
34	KIT,LED MODULE,MOTOR,SV	SM26432	80	CONNECTOR HOUSING,CAP,9 PIN	SM41187
35	COVER,MOTOR,FRONT	SM41513	81	HOUSING,ERGO, TOP LEFT, NON-CHR	SM41134
36	COVER,MOTOR,LOWER LEFT	SM41099	82	HOUSING,ERGO,BOTTOM LEFT	SM41098
37	KIT,COVER,UPRIGHT, TOP	SM26424	83	SCREW, 6-32 X .3125, SHCS	SM41268
38	ASSEMBLY,CONSOLE,T9.12	SM41265	84	HOUSING,ERGO,BOTTOM RIGHT	SM41103
39	ASSY,CONSOLE,T9.12,TV OPTION	SM41627	85	HOUSING,ERGO,BOTTOM CENTER	SM41112
40	ASSY,CONSOLE,T9.12,INTERNATION	SM41612	86	SCREW,6-32 X .438 LG SHC	SM40639
41	SCREW,1/4-20X3/8";BUTTON HD SO	SM24162	87	FAST TAB, .250	SM27000
42	ASSY, MAGNETIC SWITCH	SM41154	88	WASHER,FLAT,ZINC,METRIC	SM35920-004
43	BRACKET,POWER INLET COVER	SM41262			
44	LEVELING PAD, NTR	SM41232			
45	WELDMENT,FRAME,57" DECK	SM41001-00			

NAUTILUS T912 TREADMILL

REF #	DESCRIPTION	PART #	REF #	DESCRIPTION	PART #
89	END CAP,HANDLE BAR,MOLDED	SM41158			
90	KIT,HARDWARE,KICK PLATE,SV	SM26428			
91	KIT,KICK PLATE,SV	SM26427			
92	EDGE TRIM, RUBBER, 3/4 X 15/32	SM22076			
93	UPRIGHT KIT W/CBLS- T716/18	SM41645			
94	NUT, 3/8-16 NC FINISH HEX	SM22077			
95	SCREW,,375-16x1.00,HEX HD CAP	SM22246			
96	KIT,HARDWARE,T7/T9 SERIES	SM41315			
97	KIT,HARDWARE,T7/T9,UPRIGHT,SV	SM42600			
98	SCREW,3/8-16 X 5, HH, G2	SM41532			
99	SCREW, SELF TAPPING, #6x3/8	SM27764			
	CORDSET,PWR,ANGLE,8',C13to6-15	SM17564			
	CONNECTOR,RF,3mm,F	SM17787			
	ASSY,HARNESS,TV/PWR,T914/T916,	SM17847			
	TYRAP, 1/8 X 4	SM20473			
	TYRAP,ADHESIVE MOUNT	SM21566			
	KIT,MOTOR CNTRLR HARDWARE,SV	SM26415			
	KIT,CONNECTOR,LOCK,T7/T912	SM27283			
	HOUSING,CONSOLE REAR	SM41086			
	PCB ASSEMBLY,CONSOLE,NTR 4000	SM41091			
	HOUSING, CONSOLE FRONT	SM41101			
	CIRCUIT BREAKER,THERMAL,15 AMP	SM41128			
	CIRCUIT BREAKER,THERMAL,10 AMP	SM41152			
	HSING,CONSOLE BEZEL,NTR 4000	SM41157			
	CABLE ASSY,DC MOTOR COM CONSO	SM41161			
	CABLE ASSY,DC MOTOR COM UP- RIGH	SM41170			
	CABLE ASSY,ROC KEYS CONSOLE	SM41173			
	CABLE ASSY,COMBINED HR CON- SOLE	SM41174			
	ASSY,CABLE,COMBINED LONG HR	SM41191			
	ASSY,CABLE,ROC KEYS	SM41193			
	POWER CORD, RIGHT ANGLE,N.A.14	SM41197			
	CABLE ASSY,TACH EXTENSION	SM41199			
	MANUAL,CD,T9 SERIES	SM41281			
	INSTRUCTIONS,ASSY,T9 SERIES TM	SM41282			
	KEYPAD, CONSOLE, T9.12	SM41286			
	SUPPRESSOR,FERRITE,SNAP-ON	SM41314			
	ASSY,KIT,HANDRAIL,T9/T7,57"	SM41478- 57			
	ASY,RETRO KIT,HANDRAIL,T912,57	SM41604			
	ASSY,HARNESS,CB,T7	SM41623			